

# Model A70-LPDD Digital Panel Meter

*Document 1869A*



## Features

Simple DPM hookup - only two wires to connect.

Very compact - 1.3" x 1.8" x.36".

3-position decimal point selection.

Self powered.

Readout in percent full scale or engineering units.

## Specifications

Input Signal : 4 mA - 20 mA

Voltage drop : 2.75V max

Accuracy:  $\pm (0.1\% + 1 \text{ count})$

Range : 100 - 1999 counts max

Offset :  $\pm 10\%$  of full scale setting

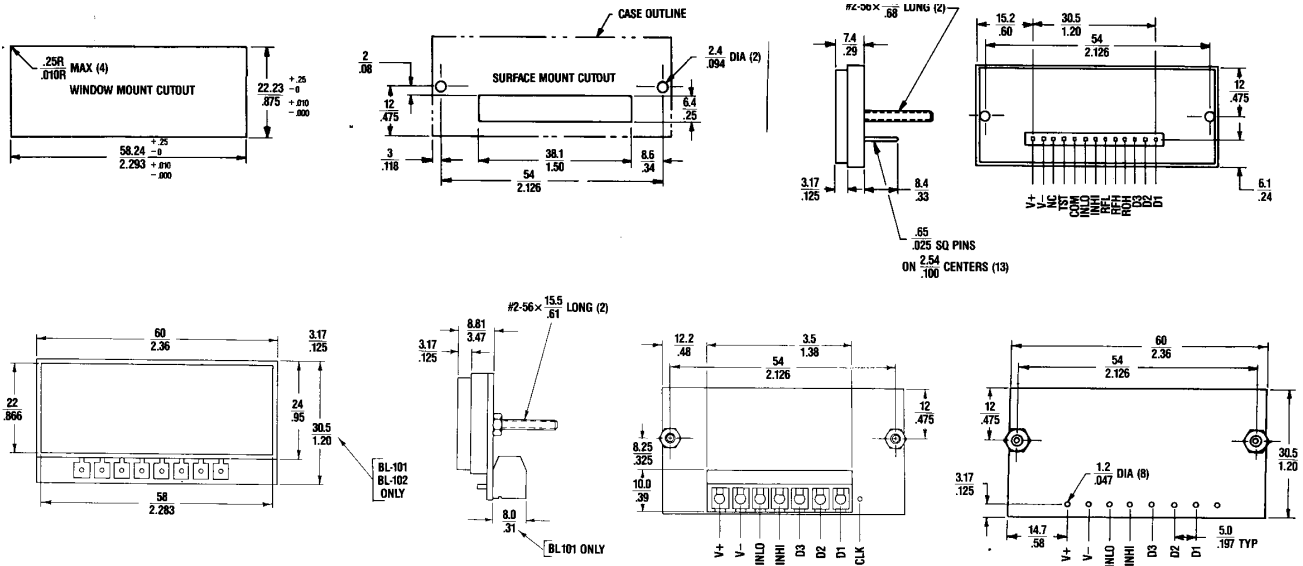
Temperature coefficient :  $\pm 200 \text{ ppm}/^\circ\text{C}$  max

Temperature Range :  $0^\circ\text{C}$  to  $+50^\circ\text{C}$

*ISO 9001 Registered*

**Comptus Inc**® 342 Lyndeboro Rd., New Boston, NH USA  
Phone: 603 487-5512 Fax: 603 487-5513 E-mail: sales@comptus.com

# A70-LPDD - Dimensions



ISO 9001 Registered

**Comptus Inc**®

342 Lyndeboro Rd., New Boston, NH USA

Phone: 603 487-5512

Fax: 603 487-5513

E-mail: sales@comptus.com