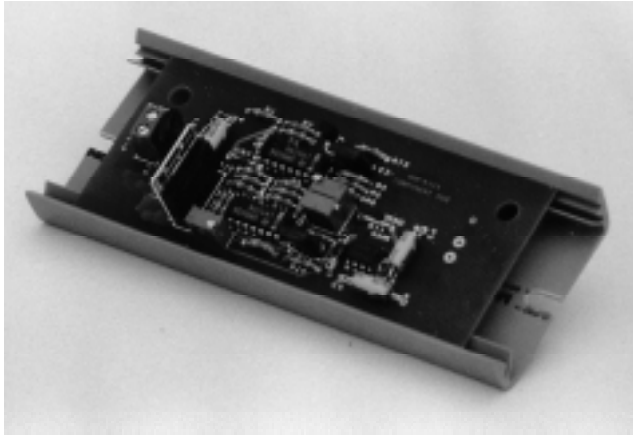
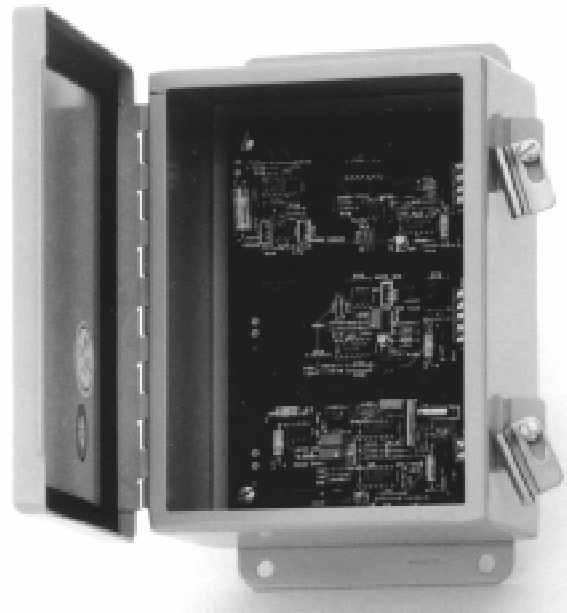


Model A70-T Temperature Transmitter

Document 1812B



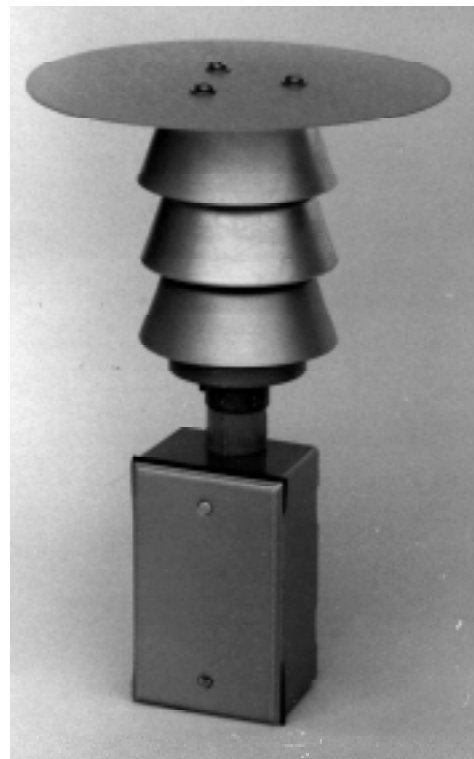
A70-TL with Track Mounting



A70-SDT in NEMA 12 Enclosure

The A70-T Temperature Transmitter provides an analog signal proportional to temperature from RTD sensors. Standard signal types include 4-20 mA, 0-1 VDC and 0-1 mA. The S91 Temperature Sensor is used to monitor fluid temperatures. The S92 sensor is used to measure air temperatures. The A76-T Radiation shield is recommended for applications where the sensor may be exposed to direct sunlight. The S93 sensor is used to monitor surface temperatures.

The electronics for monitoring various other phenomena can be combined on the same circuit board. See price list for possible combinations. Enclosures with NEMA 12 and 4X rating are available. Use the track mounted version for mounting inside an existing enclosure.



A76-T Radiation Shield

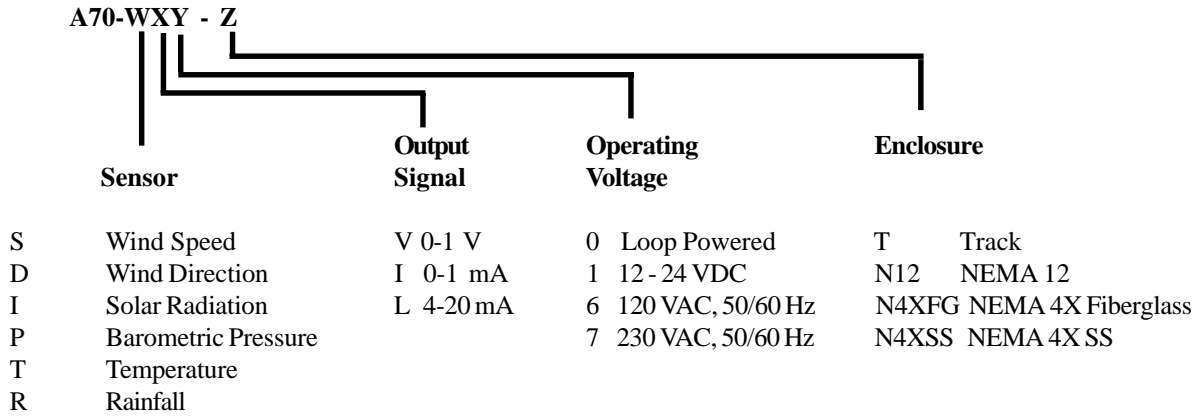
ISO 9001 Registered

Comptus Inc®

342 Lyndeboro Rd., New Boston, NH USA
Phone: 603 487-5512 Fax: 603 487-5513 E-mail: sales@comptus.com

Model A70-T

Model Designation



Operating power for models with 4-20 mA outputs can be provided by the current loop or externally. Loop power must be a regulated DC source in the range of 12 - 24 VDC. Models with 4-20 mA outputs will be loop powered if no operating power specifier (X) is present or specified as "0".

Example model number: A70- TL 6 - N12 / M1

T Air Temperature
 L 4-20 mA Output Signal
 6 120 VAC Operating Power
 N12 NEMA 12 Enclosure
 /M1 -40 / 60° C Range

Specifications

Range: /E1 - 40 / 140° F, /M1 - 40 / 60° C
 Sensor: S91 - Fluid, S92 - Air, S93 - Surface
 Accuracy: ± 1% of full scale
 Size: Track Mount 2.18" W X 5.0" L X 1" H
 NEMA 12 6" W X 8" H X 4" D
 NEMA 4X 6" W X 8" H X 4" D
 Weight : Track Mount 1 lbs
 NEMA 12 6 lbs
 NEMA 4XFG 4 lbs
 NEMA 4XSS 6 lbs
 Operating Temperature : Electronics 0 / 60° C Sensor -40 / 60° C
 Connectors : Barrier strips to accept AWG #12 or smaller wire
 Options : Expanded Ranges

Accessories : A96 Lightning protectors
 A76-T Radiation Shield
 A70-LPDD Digital Display
 Data Chart - Electronic Chart Recorder



41002 Radiation Shield

ISO 9001 Registered

Comptus Inc® 342 Lyndeboro Rd., New Boston, NH USA
 Phone: 603 487-5512 Fax: 603 487-5513 E-mail: sales@comptus.com