

Notus Wind Alarm Model C44

Document 2136, Ver. A

Notus Features

- Adjustable time delays
- Two Alarms
- Anemometer Fault Detection
- Current Wind Speed
- Display MPH, M/S or KPH Units of Speed
- AC or DC Operating Power
- Security Code
- Multiple Anemometer Styles Available.
- Protected with Metal Oxide Varistors
- Retains Configuration without electrical power

Alarms have an adjustable time delay from one second to two hours preventing nuisance tripping from wind speed gusts. Four user selectable time delay modes are provided: Delay On, Delay Off, Both and One Shot. In One Shot time delay mode the relay closes for the selected time period when the alarm condition occurs and opens at the end of the time delay period. The time delay period for each alarm is independently adjustable.

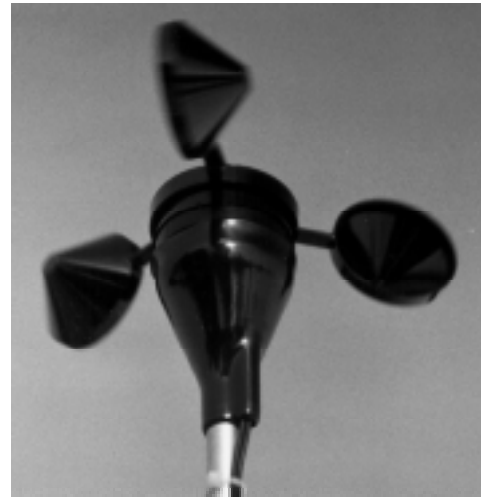
Current wind speed is displayed with user selectable units of miles per hour (MPH), meters per second (M/S) or kilometers per hour (KPH). Wind speed measurement timing is crystal controlled for high accuracy.

Two alarms with single pole double throw (SPDT) relays are provided. The alarm is activated when the wind speed exceeds the closure set point. The relay closes when the time delay is satisfied. The alarm remains activated until the wind speed drops below the opening set point. The relay opens when the time delay is satisfied.

All set points and configuration selections are retained in FLASH memory even when operating power is removed.



Notus in 1/8 DIN Enclosure



**Favonius Three Cup Anemometer
Model A75-104**



**Notus in Wall Mount
NEMA 4X PC Enclosure**

ISO 9001 Registered

Comptus Inc®

342 Lyndeboro Rd., New Boston, NH USA

Phone: 603 487-5512 Fax: 603 487-5513 E-mail: sales@comptus.com

Notus - Model C44

A security code feature resists tampering with set points or control configuration by unauthorized personnel.

The control can be ordered for operation from 120 VAC, 230 VAC, 12 VDC or 24 VDC electrical power. All inputs are protected from damage by high voltage transients with metal oxide varistors. Notus can be provided to operate with anemometers other than Favonius producing an AC output signal whose frequency is proportional to wind speed.

If an open or short circuit is detected in the anemometer circuit a message is flashed on the LCD screen.

Notus uses a microcontroller to measure the frequency of the anemometer signal which is scaled to the units of wind speed selected by the user. At power up and during periods of no wind the control checks the anemometer circuit for continuity by measuring the circuit resistance.

The terminal block on the Notus can be unplugged to facilitate wiring.

The factory can provide custom control features to adapt the Notus to your system needs. Contact the factory with your requirements for assistance and costing.

Specifications

Operating Power: 105 to 127 VAC, 50/60Hz
207 to 253 VAC, 50/60 Hz
10.5 to 15 VDC
21 - 29 VDC

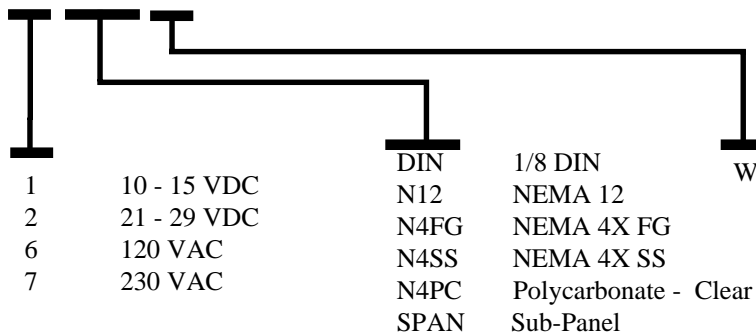
Input Devices: A75-104 Three Cup
Anemometer
Higher performance sensors available

Display Liquid Crystal Display,
16 Characters

Controls: Rotary Encoder
LCD Contrast

Ordering Information

C44 -S - P - XXX- W



Output: Two SPDT Relays, 8 Amps resistive @ 120 VAC

Control Accuracy: Wind Speed ± 1 Unit
Sensor Accuracy: See sensor specifications
Resolution: Wind Speed - User selectable
1 MPH, 1 M/S or 1 KPH
Azimuth - 2 degrees
Connectors: Barrier strip to accept AWG #12 to AWG # 20 copper wire
Temperature: Electronics -20 to +60 °C
Sensors -40 to +60 °C (A75-104)

Maintenance: Check sensor calibration yearly
Dimensions: 1/8 DIN Package:
1/8 DIN Cutout X 5.75" deep
NEMA 12 Package:
8" H X 6" W X 3.5" D
NEMA 4X SS Package:
8" H X 6" W X 34" D
NEMA 4X FG Package:
8" H X 6" W X 4" D
NEMA 4X PC Package:
7" H X 5" W X 3" D
DIN Package:
2 pounds
NEMA 12 Package:
8 pounds
NEMA 4X SS Package:
8 pounds
NEMA 4X FG Package:
4 pounds
NEMA 4X PC Package:
2 pounds

Weight: 2 pounds
NEMA 12 Package: 8 pounds
NEMA 4X SS Package: 8 pounds
NEMA 4X FG Package: 4 pounds
NEMA 4X PC Package: 2 pounds
Accessories: A96 Surge Protectors
A76-T10 Tripod Tower
Heated Anemometer
Higher Performance Sensors

ISO 9001 Registered

Comptus Inc®

342 Lyndeboro Rd., New Boston, NH USA

Phone: 603 487-5512 Fax: 603 487-5513 E-mail: sales@comptus.com